

Idea of EVICAB

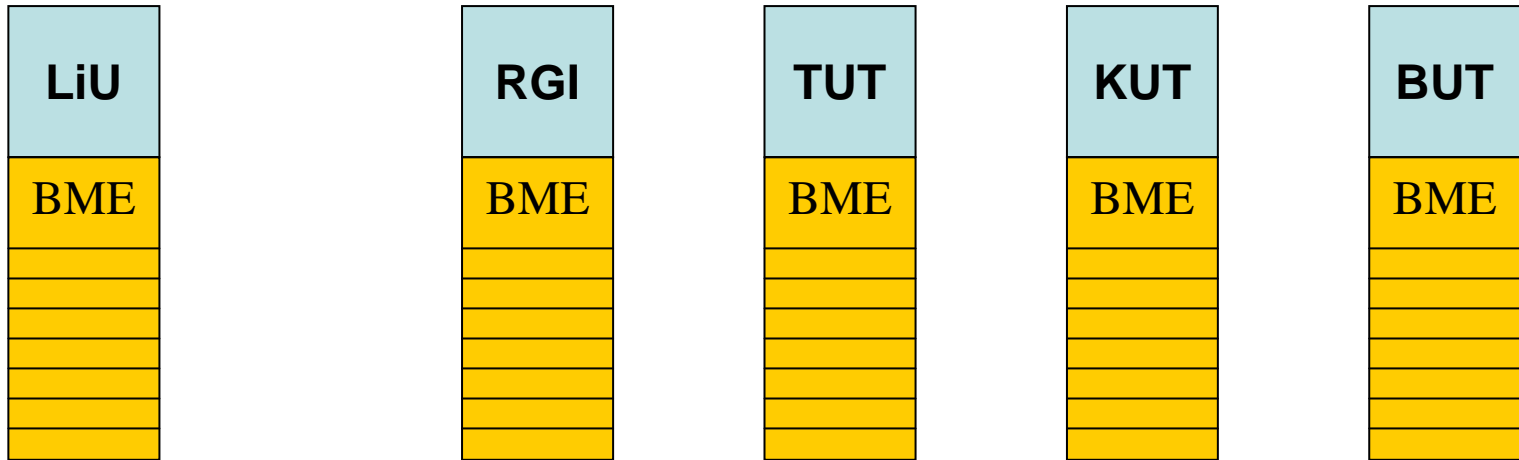


Each partner university has their own Biomedical Engineering program

The students are “normal” students:

- degree students
- exchange students
- visiting students
- international program students
- ...

Idea of EVICAB



BME Programs of the partner universities



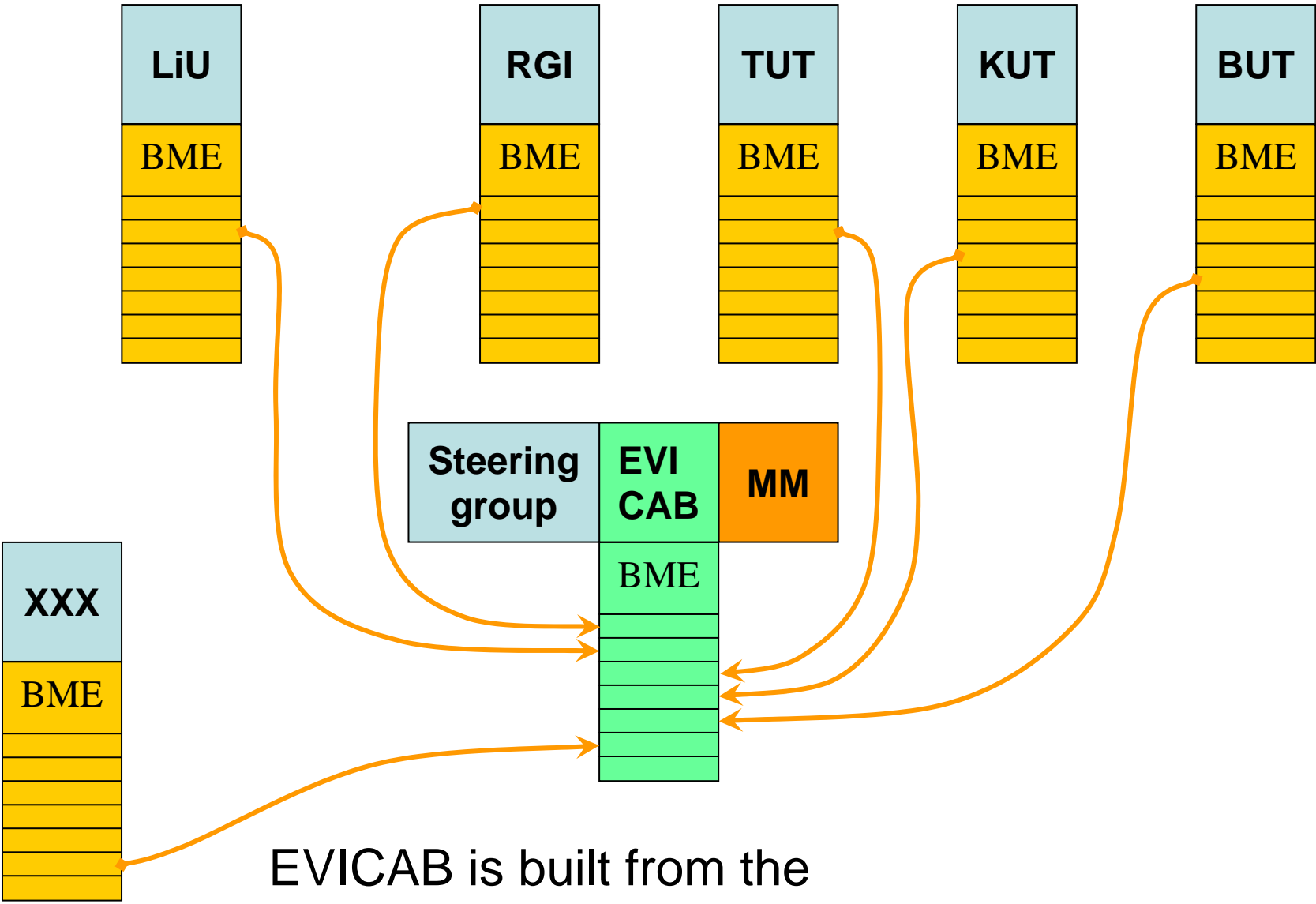
EVICAB provides a Virtual University platform of Biomedical Engineering program

The partner universities offer BME courses
to EVICAB

The courses are accepted to EVICAB by the
steering group

Courses may also be provided by
co-operating universities outside the consortium

Idea of EVICAB



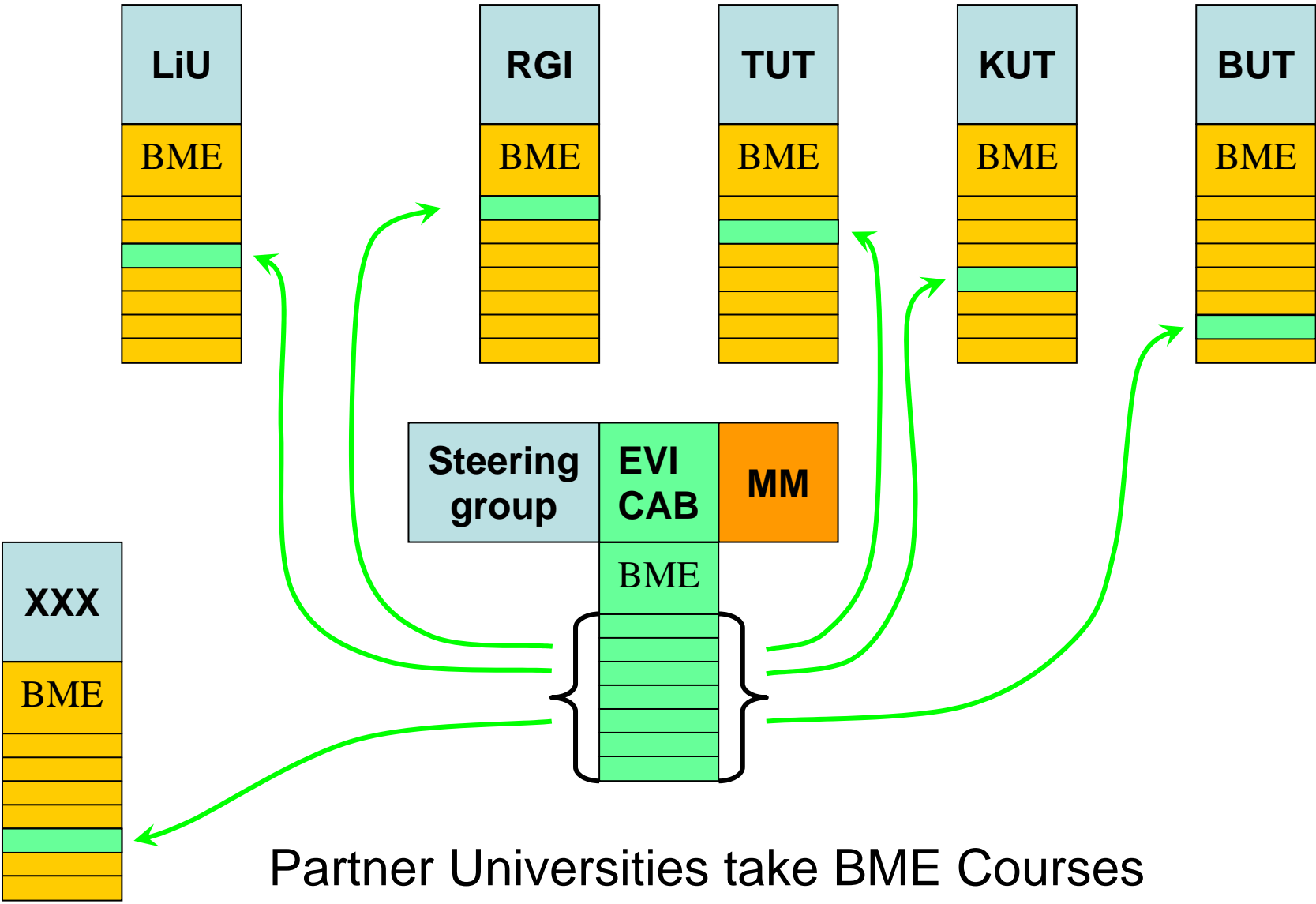
EVICAB is built from the BME Programs of the partner universities



Partner universities take courses from EVICAB to their own Biomedical Engineering program

Courses may also be taken by co-operating universities outside the consortium

Idea of EVICAB



Partner Universities take BME Courses from the EVICAB to their programs



The EVICAB project concentrates on creating this Virtual Campus (on Biomedical Engineering)

The educational material on Biomedical Engineering on the Web must be produced with other funds.

Build-up of the BME Curriculum

- EVICAB creates a platform for a BME curriculum on the Internet
 - Universities may propose a course to EVICAB
 - The steering group decides what courses are accepted to EVICAB
 - EVICAB will get the course free of charge
 - The course is updated and maintained by the university which produced it
-

Why to give a free course to EVICAB?

- EVICAB will become the internationally recognized standard in Internet education
- If a course is accepted to EVICAB, that demonstrates the high quality of the education in that university
- It will attract international students and increase the reputation of that university/institute
- The international assessment and ranking of universities has come more popular and universities compete for their position on the lists
- EVICAB will offer in BME a tool to demonstrate the excellence